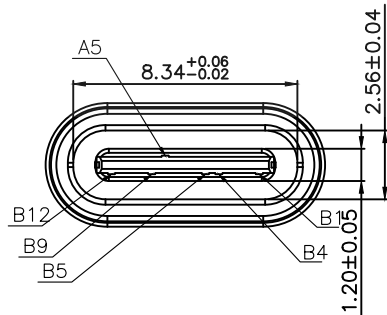
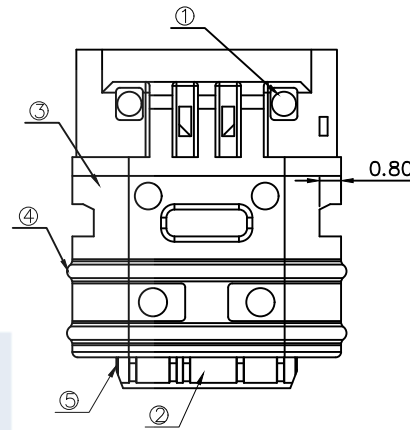
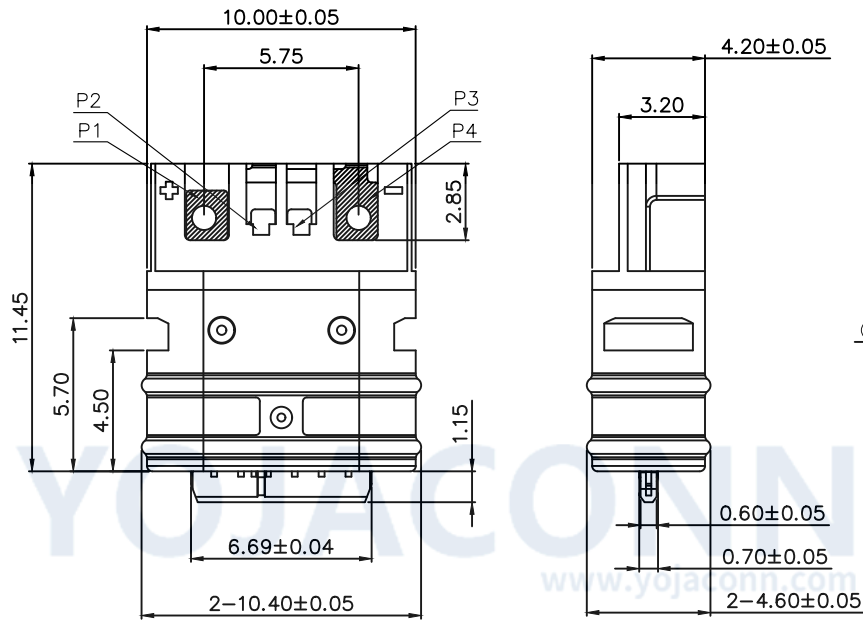


RoHS Compliant

REV	ECN No.	DATE	REMARK
A0	NEW	2024.8.5	NEW RELEASE



NOTES:

- 电气特性:
 - 耐压: 100V AC/60S/0.5mA
 - 绝缘阻抗: 100MΩ/MIN, 500V DC/MIN
 - 接触阻抗: 40mΩ/MAX(VBUS/GND)测试后变化 10mΩ;
 - 额定电流: 2A 温度: 30°/MAX
- 机械物性:
 - 插入力: 5~20N
 - 拔出力: 8~20N, 测试后拔出力 6~20N;
 - 耐久次数: 10000次
- 产品物料及制程符合“Rohs”文件对环境管理标准。

PIN DEFINE

pin	Signal Name	Description	Mating Sequence	pin	Signal Name	Description	Mating Sequence
A5	CC1	Configuration channel	Second	B1	GND	Ground return	First
				B4	VBUS	Bus Power	First
				B5	CC1	Configuration channel	Second
				B9	CC1	Bus Power	First
				B12	CC1	Ground return	First

序号	零件	数量	规格
5	中夹片	1 PCS	SUS301
4	MOLDING密封圈	1 PCS	TPE, BLACK, 60度
3	MOLD 2	1 PCS	PA9T, BLACK
2	MOLD 1	1 PCS	LCP, BLACK
1	Teaminal	1 PCS	C7025 T=0.2mm, Au:1u", Sn:80u"

GENERAL TOLERANCES	
x.xxxx	± ---
x.xxx	± 0.10
x.xx	± 0.25
x.x	± 0.30
ANGULAR	± ---°

深圳市跃佳电子有限公司
SHENZHEN YOJACONN ELECTRONICS CO.,LTD.

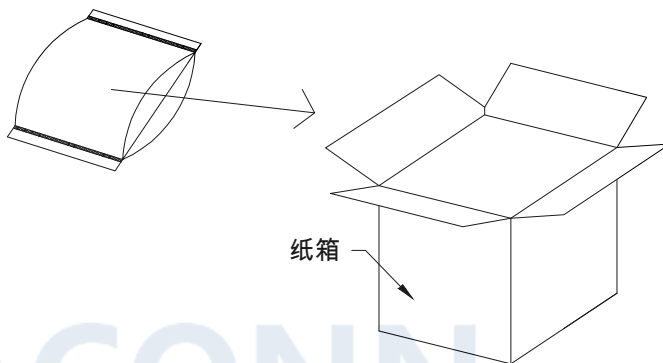
TITLE
TYPE-C母座 6P防水线端 长11.4B3带夹片无电阻无凸台

DRAWN BY	XGC 2024.8.2	UNIT	MM	PART NO.	CF6WPW-114B3-71B0D0T0
CHECKED BY	ZKX 2024.8.2	SIZE	A4	DWG NO.	CF06-051
APPROVED BY	LLQ 2024.8.5	SCALE		PROJECTION	
					SHEET 1 OF 2

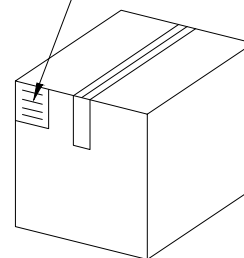
RoHS Compliant

REV	ECN No.	DATE	REMARK
A0	NEW	2024.8.5	NEW RELEASE

PE袋规格：260*185



成品标签



YOJACONN
www.yojaconn.com

1. 包装要求：

- 1.1 每个PE袋包装1000pcs；
- 1.2 每15袋一个纸箱，共计15000pcs；
- 1.3 纸箱外贴上标签

纸箱规格：33.5*33.5*19CM

GENERAL TOLERANCES		深圳市跃佳电子有限公司 SHENZHEN YOJACONN ELECTRONICS CO.,LTD.	
x.xxxx	± ---	TITLE	TYPE-C母座 6P防水线端 长11.4B3带夹片无电阻无凸台
x.xxx	± 0.10	DRAWN BY	XGC 2024.8.2
x.xx	± 0.25	CHECKED BY	ZKX 2024.8.2
x.x	± 0.30	APPROVED BY	LLQ 2024.8.5
ANGULAR	± ---°	UNIT	MM
		PART NO.	CF6WPW-114B3-71B0D0T0
		SIZE	A4
		DWG NO.	CF06-051
		SCALE	PROJECTION
		SHEET 2 OF 2	